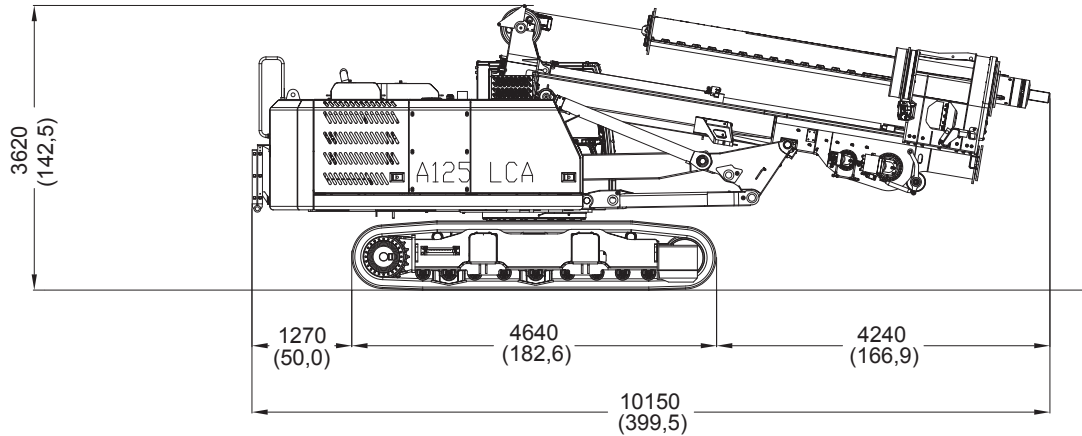


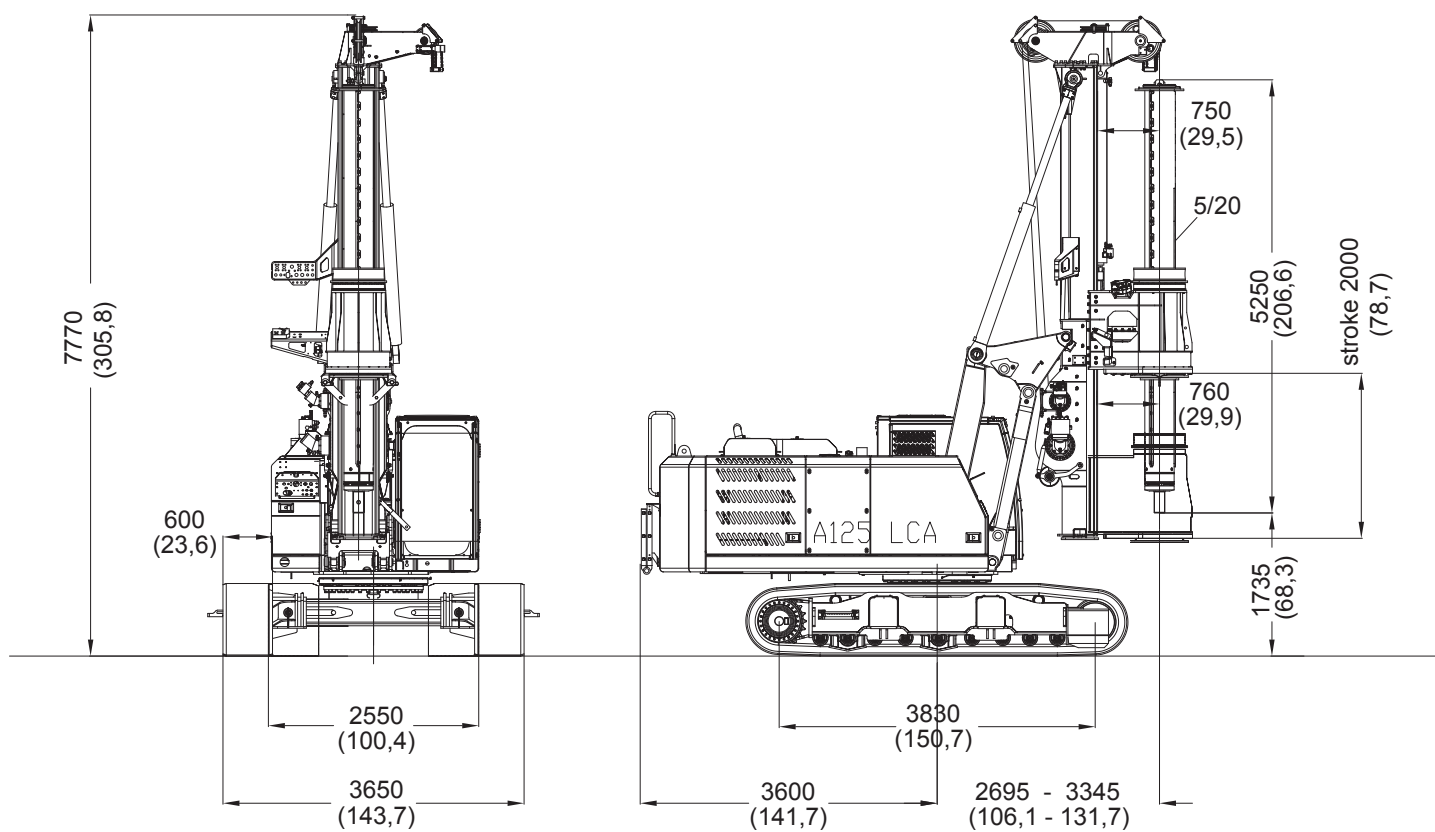


# A 125 LCA Powered by CAT



<b>Base</b>		<b>IMT</b>
Undercarriage length / widening range / shoe	mm in	CAT 4620/2550 - 3650/600 182/100 - 144/23,6
Engine type		CAT C 6.6 Acert
Power		120KW (163 HP) @1800 rpm
<b>Rotary</b>		
Installed torque	kNm lbf ft	122 90000
Working speed	rpm	7,5 - 27
Discharge speed	rpm	45 - 120
<b>Winches</b>		
Main winch pull force	kN lbf	123 27655
Main winch speed	m/min ft/min	90 295
Main winch Cable diameter	mm in	22 /
Auxiliary winch pull force	kN lbf	60 13490
Auxiliary winch Speed	m/min ft/min	90 295
Auxiliary winch Cable diameter	mm in	15 /
<b>Crowd system</b>		
Kelly crowd push	kN lbf	100 22485
Kelly crowd pull	kN lbf	165 37095
Stroke	mm in	2000 79
<b>Mast</b>		
Mast raking forward		5°
Mast side raking		+5°
Mast raking backwards		15°
Pile max. diameter	mm in	1500 60
<b>Kelly bar</b>		
Standard		5/20
Options available		
Operating Weight w/standard kelly bar	t lbs	34,8 76730

# Measurements in working phase



Purpose built Foundation Drilling Rig developed in cooperation with Caterpillar OEM Solutions Group



Via d'Ancona, 39 - 60027 Osimo (An) - Italy  
Tel. + 39 071 723341 r.a. - Fax + 39 071 7133352  
[www.imtspa.com](http://www.imtspa.com) - [imt@imtspa.com](mailto:imt@imtspa.com)

All technical data are purely indicative and subject to change without notice.