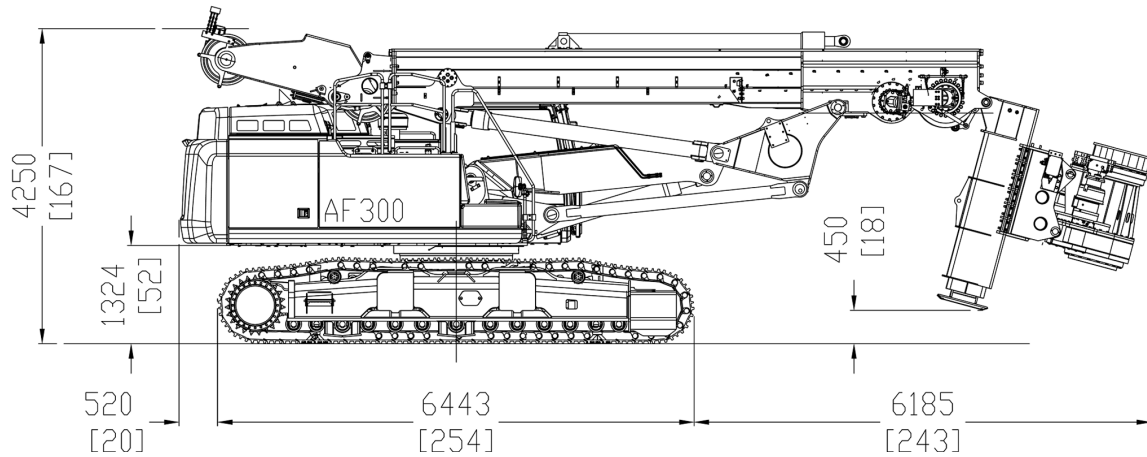


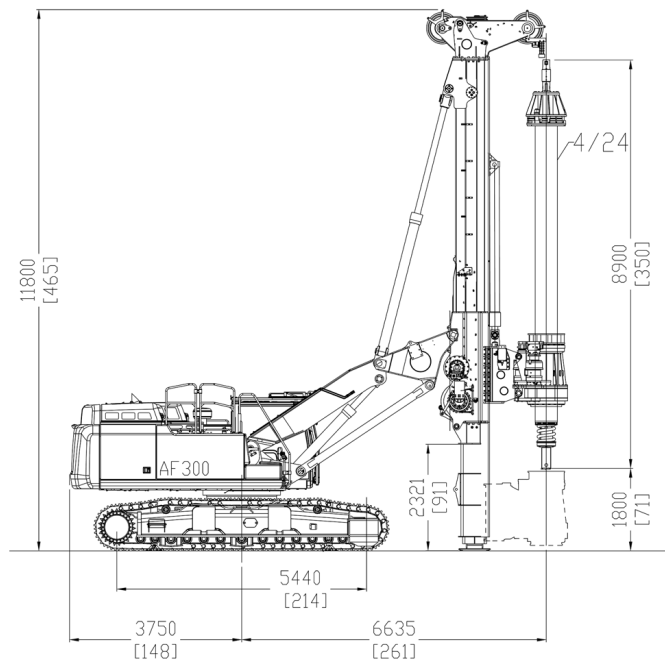
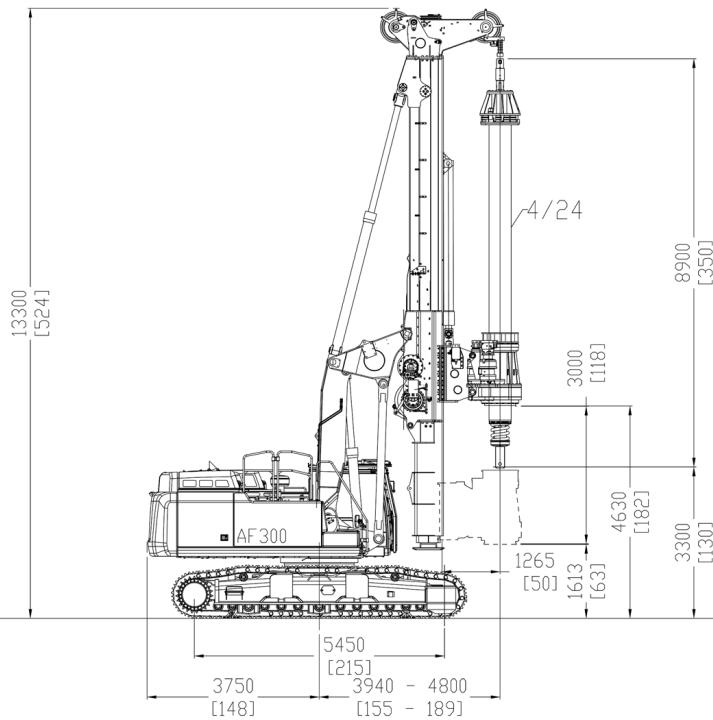
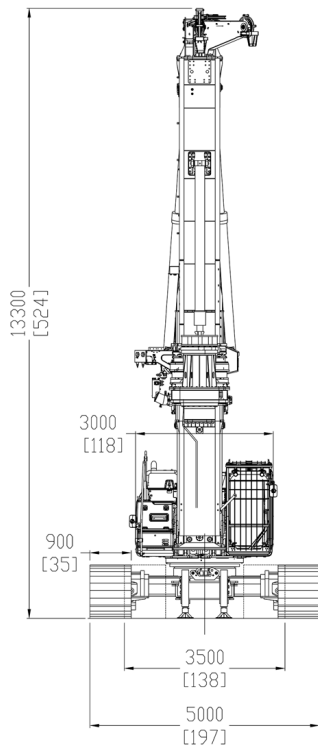


AF 300E LCA



Base		CAT 349E
Undercarriage length / widening range / shoe	mm	CAT 6440/3500 - 5000/900
	in	253/137 - 197/35,4
Engine type		CAT C13 Acert Tier4
Power	Kw	322 KW (432HP) @ 1800rpm
Rotary		
Installed torque	kNm	310
	lbf ft	228645
Working speed	rpm	6,5 - 28
Discharge speed	rpm	45 - 110
Winches		
Main winch pull force	kN	300
	lbf	67445
Main winch speed	m/min	70
	ft/min	230
Main winch Cable diameter	mm	32
	in	/
Auxiliary winch pull force	kN	150
	lbf	33725
Auxiliary winch Speed diameter	m/min	80
	ft/min	262
Auxiliary winch Cable diameter	mm	20
	in	/
Crowd system		
Kelly crowd push	kN	350
Kelly crowd pull	lbf	78685
	kN	390
Stroke	lbf	87680
	mm	3000
	in	118
Mast		
Mast raking forward		5°
Mast side raking		±5,5°
Mast raking backwards		15°
Pile max. diameter	mm	2500
	in	99
Kelly bar		
Standard		4/24
Options available		4/17 - 5/33
Operating Weight w/standard kelly bar	t (metric)	90,5
	lbs	199520

Measurements in working phase



IMT
INTERNATIONAL

Legal Headquarters:

Via Gaspare Spontini, 22 - 00198 Roma Italy

Offices and Plant:

Via d'Ancona, 39 - 60027 Osimo (An) - Italy

Tel. + 39 071 723341 r.a. - Fax + 39 071 7133352

www.imtspa.com - imt@imtspa.com

All technical data are purely indicative and subject to change without notice.