

LP Gas Cushion Tire Lift Trucks

Capacity: 7,000-15,500 lb



GC35K-GC70K (STR) Series

The GC35K-GC70K Series internal combustion cushion tire lift trucks provide maximum performance in a variety of applications due to increased efficiency and operator-friendly controls.

Uncompromising Performance.

This lift truck thrives in applications where its strength can effectively be put to the test. The spacious operator compartment combined with powerful performance results in an operator who is comfortable and productive during long shifts.

Air Quality.

These rugged trucks provide excellent horsepower and torque while meeting EPA and CARB requirements for carbon monoxide (CO), hydrocarbons (HC) and nitrogen oxide (NOx) emissions.

Designed For Uptime.

The standard premium LED/LCD display is designed for easy monitoring of truck functions. Extended service intervals, the advanced Engine Protection System and easy access to service components results in increased uptime for your applications.

Model	Capacity (lbs)									
	7,000	8,000	9,000	10,000	11,000	12,000	13,000	14,000	15,000	
GC35K										
GC40K										
GC40K STR										
GC45K SWB										
GC45K STR										
GC55K										
GC55K STR										
GC60K										
GC70K										
GC70K STR										

Commanding Presence

In control and delivering results. Your Cat® lift truck will help keep the operator comfortable and productive.



Optimized Visibility

Narrow mast channels and open overhead guards help improve operator visibility to the load and surroundings. Standard LED work lights illuminate the work area while providing significant maintenance savings over traditional halogen or incandescent lights.



Increased visibility

QUALITY



Comfortable Seating

Operators of varying sizes can work long shifts comfortably in the standard full-suspension seat. An optional reverse drive package with swivel seat and rear grab handle with horn button is available for high-shuttle applications.



Adjustable seating for increased comfort

Premium Display Panel

The standard premium display provides a number of productivity-enhancing tools to the operator. Features such as malfunction indicators and an engine coolant temperature gauge help ensure that the truck is running at peak performance.



Optimized display panel raises awareness

RELIABILITY

Step Up In Power

These trucks aren't built to sit on the sidelines. The GC35K-GC70K (STR) Series delivers top performance throughout the shift.



Options For Applications

Options such as the dust and foundry package, enclosed alternators, torque converter filter and specialty tires can customize the truck for your specific needs, while extending equipment service life and minimizing product damage.

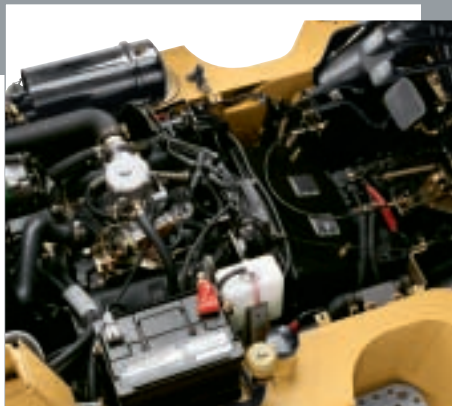


Solutions for your application



Environmentally-Friendly Engines

The 4.3LV6 engine works in the toughest conditions, while offering excellent fuel economy and low noise and vibration levels.



Increased fuel efficiency, low emissions

Increased Equipment Protection

The Engine Protection System (EPS) monitors the engine oil pressure, transmission temperature and coolant temperature. The lift truck will slow down or shut off if this system recognizes unsafe conditions.



Protecting your investment

Serviceability

With 500 hour service intervals, display-based indicators and reminders and easy access to service components, you can count on maximizing uptime and lowering maintenance costs with your Cat lift truck.



Service time is minimized

CUSTOMER SERVICE

Best Warranty In The Industry

We stand behind our products, giving you peace of mind by helping your trucks stay on the job, day after day. Every new Cat lift truck is covered by a 2-year/unlimited hours warranty that includes parts and labor regardless of service hours. All components and systems are covered. With our standard 3-year/6,000 hours extended powertrain warranty, you'll have the confidence that only comes from owning a Cat lift truck.



Free Loaner Service Guarantee*

If your lift truck is not repaired right the first time or within the quoted time, you will receive a free loaner truck while the repair is completed.



Guaranteed to keep you moving

Parts Fast Or Parts Free*

The Parts Fast Or Parts Free Guarantee ensures next-business-day delivery of parts for all brands of lift trucks, or they're free, including freight. If your part doesn't come in by the next business day, we pay for it.



Parts for all brands of lift trucks



Flexible Financing Options*

Financing your next Cat lift truck is easy with our wide range of flexible leasing and purchasing options. Whether you want to finance or lease, your local Cat lift truck dealer can help customize a package tailored to your specific needs.



Custom financing packages

Dealers You Can Depend On

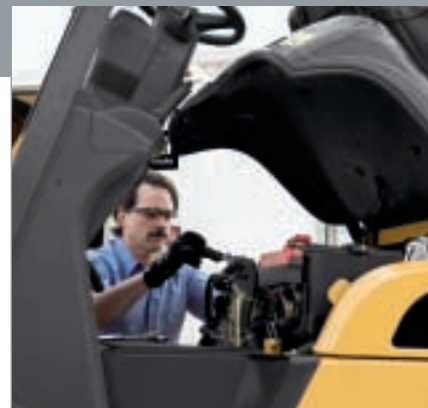
With hundreds of dealer locations throughout North and South America, Cat lift truck dealers provide more than just lift trucks. From flexible financing options, parts, service and product support, our dealers are unsurpassed.



Professionals you can depend on

Free Planned Maintenance*

Proper maintenance of your truck helps assure top performance over the long haul. That's why every new Cat lift truck gets its first planned maintenance completed by your local Cat lift truck dealer at no cost to you.



Quality service at the right price

* Programs may be subject to change without notice and may vary by region. Please ask your local Cat® lift truck dealer for complete terms and conditions.

Specifications

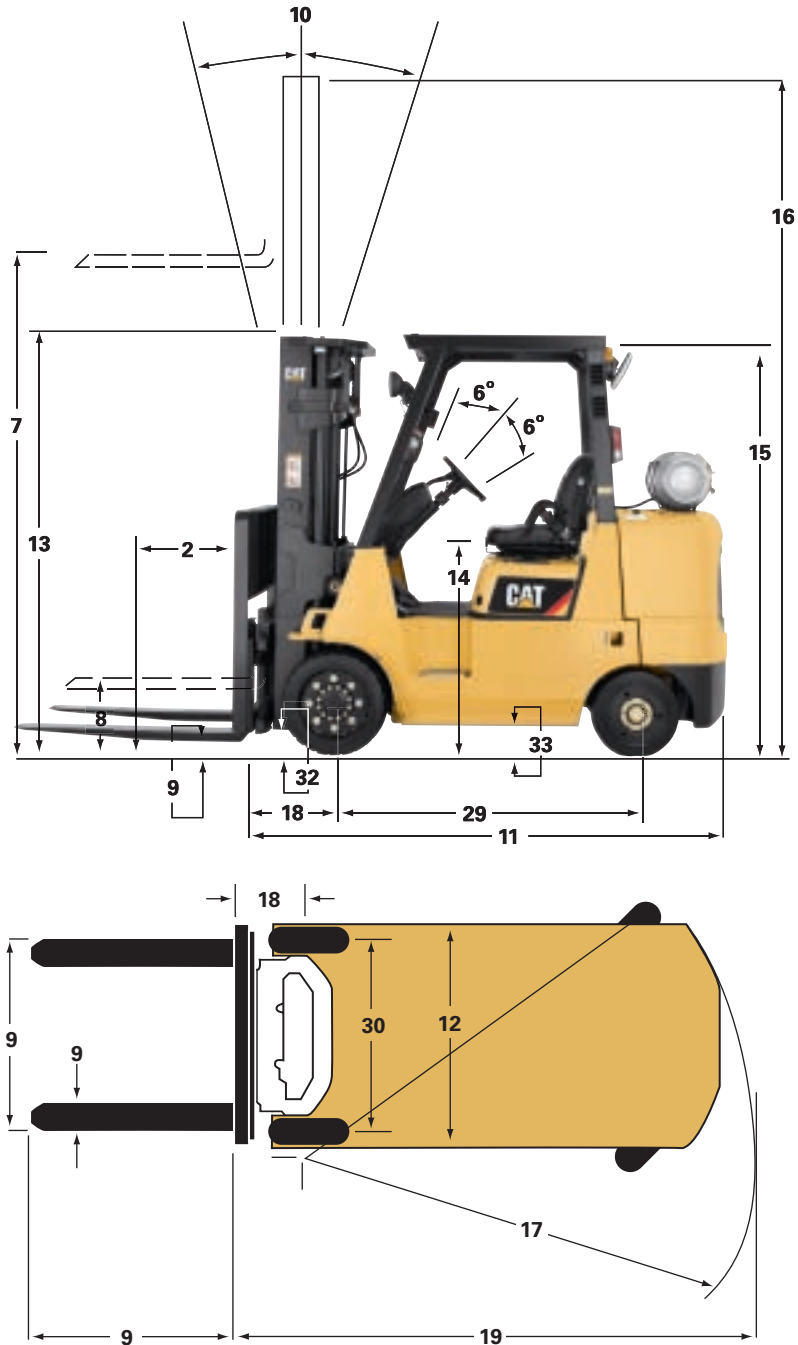
Characteristics				GC35K		GC40K		GC40K STR		GC45K SWB			
1	Capacity	at rated load center	lb	kg	7,000	3,500	8,000	4,000	8,000	4,000	10,000	4,500	
2		at load center - distance	in	mm	24	500	24	500	24	500	24	600	
3	Power	LP gas		LP gas		LP gas		LP gas		LP gas			
4	Tire type	cushion, pneumatic		cushion		cushion		cushion		cushion			
5	Wheels	(x=driven) number front / rear		2x / 2		2x / 2		2x / 2		2x / 2			
Dimensions				GC35K		GC40K		GC40K STR		GC45K SWB			
6	Lift	maximum fork height w / rated load	in	mm	183.1	4,650	183.1	4,650	198.8	5,050	198.8	5,050	
7	Lift w / standard two-stage mast	maximum fork height (top of forks)	in	mm	120.1	3,050	120.1	3,050	120.1	3,050	114.2	2,900	
8		free fork height	in	mm	5.9	150	5.9	150	5.9	150	6.3	160	
9	Forks	thickness x length x width	in	2.0 x 48.0 x 6.0		2.0 x 48.0 x 6.0		2.0 x 48.0 x 6.0		2.0 x 48.0 x 6.0			
			mm	50 x 1,220 x 150		50 x 1,220 x 150		50 x 1,220 x 150		50 x 1,220 x 150			
9	Fork spacing	out-to-out minimum / maximum	in	mm	13.5 / 41.0	342 / 1,042	13.5 / 41.0	342 / 1,042	13.5 / 41.0	342 / 1,042	13.5 / 41.0	342 / 1,042	
10	Tilt	forward / backward	degrees		5 / 10		5 / 10		5 / 10		5 / 10		
11	Overall dimensions	length to fork face	in	mm	98.8	2,510	100.4	2,550	94.9	2,411	103.1	2,620	
12		width	with standard tires	in	mm	46.5	1,180	46.5	1,180	46.5	1,180	46.5	1,180
13			w / std tires, wide-stance	in	mm	50.0	1,270	50.0	1,270	50.0	1,270	50.0	1,270
14		height	with lowered mast	in	mm	83.5	2,120	83.5	2,120	83.5	2,120	83.5	2,120
15			seat height	in	mm	47.2	1,200	47.2	1,200	47.2	1,200	47.2	1,200
16			top of overhead guard	in	mm	86.8	2,205	86.8	2,205	86.8	2,205	86.8	2,205
17		with extended mast	in	mm	168.1	4,270	168.1	4,270	168.1	4,270	162.2	4,120	
17	Minimum outside turning radius		in	mm	88.0	2,235	90.0	2,285	82.3	2,091	92.1	2,340	
18	Load moment constant		in	mm	17.7	450	17.7	450	17.7	450	18.3	465	
19	Minimum aisle – 90° stack – zero clearance w/o load		in	mm	105.9	2,690	107.9	2,740	100	2,540	110.6	2,810	
Performance				GC35K		GC40K		GC40K STR		GC45K SWB			
20	Speeds	travel speed loaded / empty	mph	km/h	11.8 / 12.1	19.0 / 19.5	11.8 / 12.1	19.0 / 19.5	11.8 / 12.1	19.0 / 19.5	11.5 / 12.1	18.5 / 19.5	
21		lift speed loaded / empty	fpm	m/s	106 / 112	0.54 / 0.57	106 / 112	0.54 / 0.57	106 / 112	0.54 / 0.57	77 / 83	0.39 / 0.42	
22		lowering speed loaded / empty	fpm	m/s	108 / 98	0.55 / 0.50	108 / 98	0.55 / 0.50	108 / 98	0.55 / 0.50	87 / 81	0.44 / 0.41	
23	Drawbar pull	loaded at 1 mph (1.6 kph)	lb	N	6,283	2,850	6,283	2,850	6,283	2,850	6,173	2,800	
		loaded maximum	lb	N	7,110	3,225	7,110	3,225	7,110	3,225	7,000	3,175	
24	Gradeability	loaded at 1 mph (1.6 kph)	%		37.0		33.0		32.0		27.0		
		maximum loaded / empty	%		42.0 / 24.0		37.0 / 21.0		36.0 / 21.5		30.0 / 17.5		
Weight				GC35K		GC40K		GC40K STR		GC45K SWB			
25	Empty		lb	kg	11,550	5,240	12,280	5,570	12,470	5,655	14,265	6,470	
26	Axle load	with rated load front / rear	lb	kg	16,329 / 2,207	7,706 / 1,028	18,152 / 2,118	8,576 / 991	18,211 / 2,257	8,603 / 1,054	21,125 / 3,116	9,493 / 1,468	
		without load front / rear	lb	kg	4,618 / 6,918	2,095 / 3,139	4,768 / 7,502	2,163 / 3,404	4,827 / 7,641	2,190 / 3,467	4,299 / 9,941	1,951 / 4,510	
Chassis				GC35K		GC40K		GC40K STR		GC45K SWB			
27	Tire size	front, standard	in	in	22x9x16		22x9x16		22x9x16		22x9x16		
		front, standard wide-stance			22x9x16		22x9x16		22x9x16		22x9x16		
		rear			18x7x12.1		18x7x12.1		18x7x12.1		18x7x12.1		
28													
29	Wheel base		in	mm	62.0	1,575	62.0	1,575	62.0	1,575	62.0	1,575	
30	Tread width	front, standard tires	in	mm	37.0	940	37.0	940	37.0	940	37.0	940	
		front, wide-stance tires	in	mm	40.9	1,040	40.9	1,040	40.9	1,040	40.9	1,040	
		rear standard tires	in	mm	38.6	980	38.6	980	38.6	980	38.6	980	
32	Ground clearance	at lowest point of mast*	in	mm	3.1	80	3.1	80	3.1	80	3.1	80	
		at center of wheel base	in	mm	5.9	150	5.9	150	5.9	150	5.9	150	
34	Brakes	service	type		foot, hydraulic		foot, hydraulic		foot, hydraulic		foot, hydraulic		
		parking	type		hand, mechanical		hand, mechanical		hand, mechanical		hand, mechanical		
35													
Powertrain				GC35K		GC40K		GC40K STR		GC45K SWB			
36	Engine	manufacturer and model			GM V6		GM V6		GM V6		GM V6		
37		continuous output (S.A.E. gross)	HP	kW	92.5	69.0	92.5	69.0	92.5	69.0	92.5	69.0	
			at rpm		2,450		2,450		2,450		2,450		
38		maximum torque (S.A.E. gross)	lb-ft	Nm/rpm	220	31.0	220	31.0	220	31.0	220	31.0	
	at rpm		1,200		1,200		1,200		1,200				
39		cylinder / displacement	cu in	L	6.0 / 262	4,300	6.0 / 262	4,300	6.0 / 262	4,300	6.0 / 262	4,300	
40	Transmission	type			powershift		powershift		powershift		powershift		
41		number of speeds forward / reverse			1 / 1		1 / 1		1 / 1		1 / 1		
42	Relief pressure	for attachments at aux. valve	psi	bar	2,250	155	2,250	155	2,250	155	2,250	155	
43	Noise level	mean value at operator's ear	dB(A)		83.5		83.5		83.5		83.5		

*This varies depending upon the model selection and the tire type.

GC45K STR		GC55K		GC55K STR		GC60K		GC70K		GC70K STR	
10,000	4,500	12,000	5,500	12,000	5,500	13,500	6,000	15,500	7,000	15,500	7,000
24	600	24	600	24	600	24	600	24	600	24	600
LP gas		LP gas		LP gas		LP gas		LP gas		LP gas	
cushion		cushion		cushion		cushion		cushion		cushion	
2x / 2		2x / 2		2x / 2		2x / 2		2x / 2		2x / 2	
GC45K STR		GC55K		GC55K STR		GC60K		GC70K		GC70K STR	
198.8	5,050	208.7	5,300	179.5	4,560	198.8	5,050	198.8	5,050	198.8	5,050
114.2	2,900	114.2	2,900	114.2	2,900	92.9	2,360	92.9	2,360	92.9	2,360
6.3	160	6.3	160	6.3	160	6.5	165	6.5	165	6.5	165
2.0 x 48.0 x 6.0		2.4 x 48.0 x 6.0		2.4 x 48.0 x 6.0		2.6 x 48.0 x 6.0		2.6 x 48.0 x 6.0		2.6 x 48.0 x 6.0	
50 x 1,220 x 150		60 x 1,220 x 150		60 x 1,220 x 150		65 x 1,220 x 150		65 x 1,220 x 150		65 x 1,220 x 150	
13.5 / 41.0	342 / 1,042	13.5 / 41.0	342 / 1,042	13.5 / 41.0	342 / 1,042	16.3 / 47.8	414 / 1,214	16.3 / 47.8	414 / 1,214	16.3 / 47.8	414 / 1,214
5 / 10		5 / 10		5 / 10		6 / 9		6 / 9		6 / 9	
98.3	2,496	114.6	2,910	104.5	2,655	116.1	2,950	116.1	2,950	107.5	2,730
46.5	1,180	52.0	1,320	52.0	1,320	56.7	1,440	56.7	1,440	56.7	1,440
50.0	1,270	55.9	1,420	55.9	1,420	-	-	-	-	-	-
83.5	2,120	83.5	2,120	83.5	2,120	84.6	2,150	84.6	2,150	84.6	2,150
47.2	1,200	47.2	1,200	47.2	1,200	50.6	1,285	50.6	1,285	50.6	1,285
86.8	2,205	86.8	2,205	86.8	2,205	88.8	2,255	88.8	2,255	88.8	2,255
162.2	4,120	162.2	4,120	162.2	4,120	140.9	3,580	140.9	3,580	140.9	3,580
88.0	2,234	100.4	2,550	92.5	2,350	101.2	2,570	101.2	2,570	97.2	2,470
18.3	465	18.9	480	18.9	480	20.9	530	20.9	530	20.9	530
106.3	2,700	119.3	3,030	111.4	2,830	122	3,100	122	3,100	118.1	3,000
GC45K STR		GC55K		GC55K STR		GC60K		GC70K		GC70K STR	
11.5 / 12.1	18.5 / 19.5	11.2 / 12.1	18.0 / 19.5	11.2 / 12.1	18.0 / 19.5	13.0 / 14.3	21.0 / 23.0	12.7 / 14.3	20.5 / 23.0	12.7 / 14.0	20.5 / 22.5
77 / 83	0.39 / 0.42	77 / 83	0.39 / 0.42	77 / 83	0.39 / 0.42	71 / 77	0.36 / 0.39	71 / 77	0.36 / 0.39	71 / 77	0.36 / 0.39
87 / 81	0.44 / 0.41	87 / 81	0.44 / 0.41	87 / 81	0.44 / 0.41	106 / 77	0.54 / 0.39	106 / 77	0.54 / 0.39	106 / 77	0.54 / 0.39
6,173	2,800	6,118	2,775	6,118	2,775	7,826	3,550	7,716	3,500	7,716	3,500
7,000	3,175	6,889	3,125	6,889	3,125	9,425	4,275	9,370	4,250	9,370	4,250
270		22.5		22.0		24.5		21.5		20.5	
30.0 / 17.5		26.0 / 20.0		25.0 / 21.0		30.0 / 22.0		27.0 / 20.5		26.0 / 21.0	
GC45K STR		GC55K		GC55K STR		GC60K		GC70K		GC70K STR	
14,350	6,510	15,850	7,190	16,645	7,550	19,310	8,760	20,900	9,480	21,870	9,920
21,471 / 2,927	9,651 / 1,382	24,683 / 3,162	11,257 / 1,432	25,299 / 3,325	11,537 / 1,506	28,996 / 3,798	12,920 / 1,834	32,118 / 4,256	14,481 / 1,990	32,756 / 4,420	14,771 / 2,064
4,646 / 9,753	2,108 / 4,425	5,334 / 10,510	2,420 / 4,769	5,951 / 10,674	2,700 / 4,843	7,086 / 12,207	3,215 / 5,539	6,963 / 13,911	3,159 / 6,312	7,601 / 14,076	3,449 / 6,386
GC45K STR		GC55K		GC55K STR		GC60K		GC70K		GC70K STR	
22x9x16		22x12x16		22x12x16		28x12x22		28x12x22		28x12x22	
22x9x16		22x12x16		22x12x16		-		-		-	
18x7x12.1		18x8x12.1		18x8x12.1		22x8x16		22x8x16		22x8x16	
62.0	1,575	70.1	1,780	70.1	1,780	72.0	1,830	72.0	1,830	72.0	1,830
37.0	940	40.0	1,015	40.0	1,015	44.5	1,130	44.5	1,130	44.5	1,130
40.9	1,040	44.1	1,120	44.1	1,120	-	-	-	-	-	-
38.6	980	38.0	965	38.0	965	45.7	1,160	45.7	1,160	45.7	1,160
3.1	80	3.1	80	3.1	80	3.1	80	3.1	80	3.1	80
5.9	150	5.9	150	5.9	150	7.9	200	7.9	200	7.9	200
foot, hydraulic		foot, hydraulic		foot, hydraulic		foot, hydraulic		foot, hydraulic		foot, hydraulic	
hand, mechanical		hand, mechanical		hand, mechanical		hand, mechanical		hand, mechanical		hand, mechanical	
GC45K STR		GC55K		GC55K STR		GC60K		GC70K		GC70K STR	
GM V6		GM V6		GM V6		GM V6		GM V6		GM V6	
92.5	69.0	92.5	69.0	92.5	69.0	92.5	69.0	92.5	69.0	92.5	69.0
2,450		2,450		2,450		2,450		2,450		2,450	
220	31.0	220	31.0	220	31.0	220	31.0	220	31.0	220	31.0
1,200		1,200		1,200		1,200		1,200		1,200	
6.0 / 262	4,300	6.0 / 262	4,300	6.0 / 262	4,300	6.0 / 262	4,300	6.0 / 262	4,300	6.0 / 262	4,300
powershift		powershift		powershift		powershift		powershift		powershift	
1 / 1		1 / 1		1 / 1		2 / 2		2 / 2		2 / 2	
2,250	155	2,250	155	2,250	155	2,250	155	2,250	155	2,250	155
83.5		83.5		83.5		83.5		83.5		83.5	

NOTE: These specifications assume the use of drive axles, tires and tilt angles specified. Any modification to specifications, or any other combination of specifications made after the shipment of the truck, requires prior written approval from Mitsubishi Caterpillar Forklift America Inc. ("MCF"). (See ANSI/ITSDF B56.1) Also be advised that overall operating visibility may be affected by the mast configuration and mast options of your truck. Therefore, you may need to add ancillary [auxiliary] devices or modify your operating practices. Consult your dealer for further information.

Call-out numbers shown in diagram correspond to the first column of the specifications chart.



Safety Standards

These trucks meet American National Standards Institute/ Industrial Truck Standards Development Foundation, ANSI/ITSDF B56.1.

UL-Classified by Underwriters Laboratories, Inc., as to fire and electric shock hazard only. Types LP, LPS (optional), Industrial Trucks. Users should be aware of, and adhere to, applicable codes and regulations regarding operator training, use, operation and maintenance of powered industrial trucks, including:

- ANSI/ITSDF B56.1.
- NFPA 505, fire safety standard for powered industrial trucks - type designations, areas of use, maintenance, and operation.
- Occupational Safety and Health Administration (OSHA) regulations that may apply.

Specifications, equipment, technical data, photos and illustrations based on information at time of printing and subject to change without notice. Some products may be shown with optional equipment.

ADDITIONAL OPTIONS

Enhance Your Experience

Cat lift trucks come equipped with features and options that allow you to get the job done. The specialized GC40K-PRH-STR – GC70K-PRH-STR models are equipped with paper handling chassis and special option packages designed specifically for the paper product industry. Packaged together, these specialized chassis and options provide value, helping reduce the need for field modifications.



Paper Application Package (standard equipment) includes:

- Hydraulic accumulator
- Hydraulic flow control valve
- Inline row plate fin radiator
- Tandem transmission oil coolers
- Louvered radiator covers
- Carriage slider blocks
- Wrapped exhaust pipes
- Belly screen

Model	Capacity (lbs)								
	7,000	8,000	9,000	10,000	11,000	12,000	13,000	14,000	15,000
GC40K-PRH-STR	■	■							
GC45K-PRH-STR	■	■	■	■					
GC55K-PRH-STR	■	■	■	■	■	■			
GC70K-PRH	■	■	■	■	■	■	■	■	■
GC70K-PRH-STR	■	■	■	■	■	■	■	■	■

Product Protection Package (optional) includes:

- 4-position electronic pressure regulator
- Forward tilt lockout for mast
- Drop stop valve in lift circuit
- Flexible fenders





Quality

Reliability

Customer Service

Experienced professionals at our dealerships and on our National Accounts Team can assist you with your lift truck purchase or lease. Your Cat lift truck dealer can provide options and additional visual and audible warning devices geared toward your specific requirements. Operator training programs are also available to boost productivity and to help reduce the potential for product damage and personal injury.



LP Gas Cushion Tire Lift Trucks

Capacity: 7,000-15,500 lb

1-800-CAT-LIFT | www.cat-lift.com

Copyright © 2010 by MCFA. All rights reserved. CAT, CATERPILLAR, their respective logos, "Caterpillar Yellow" and the "Power Edge" trade dress, as well as corporate and product identity used herein, are trademarks of Caterpillar and may not be used without permission. All registered trademarks are the property of their respective owners. Some products may be shown with optional equipment. Printed in U.S.A.